



Cape Concrete Works (Pty) Ltd.

Wimbledon Road, Blackheath, Cape Town, South Africa

capeconcrete.com

info@capeconcrete.com

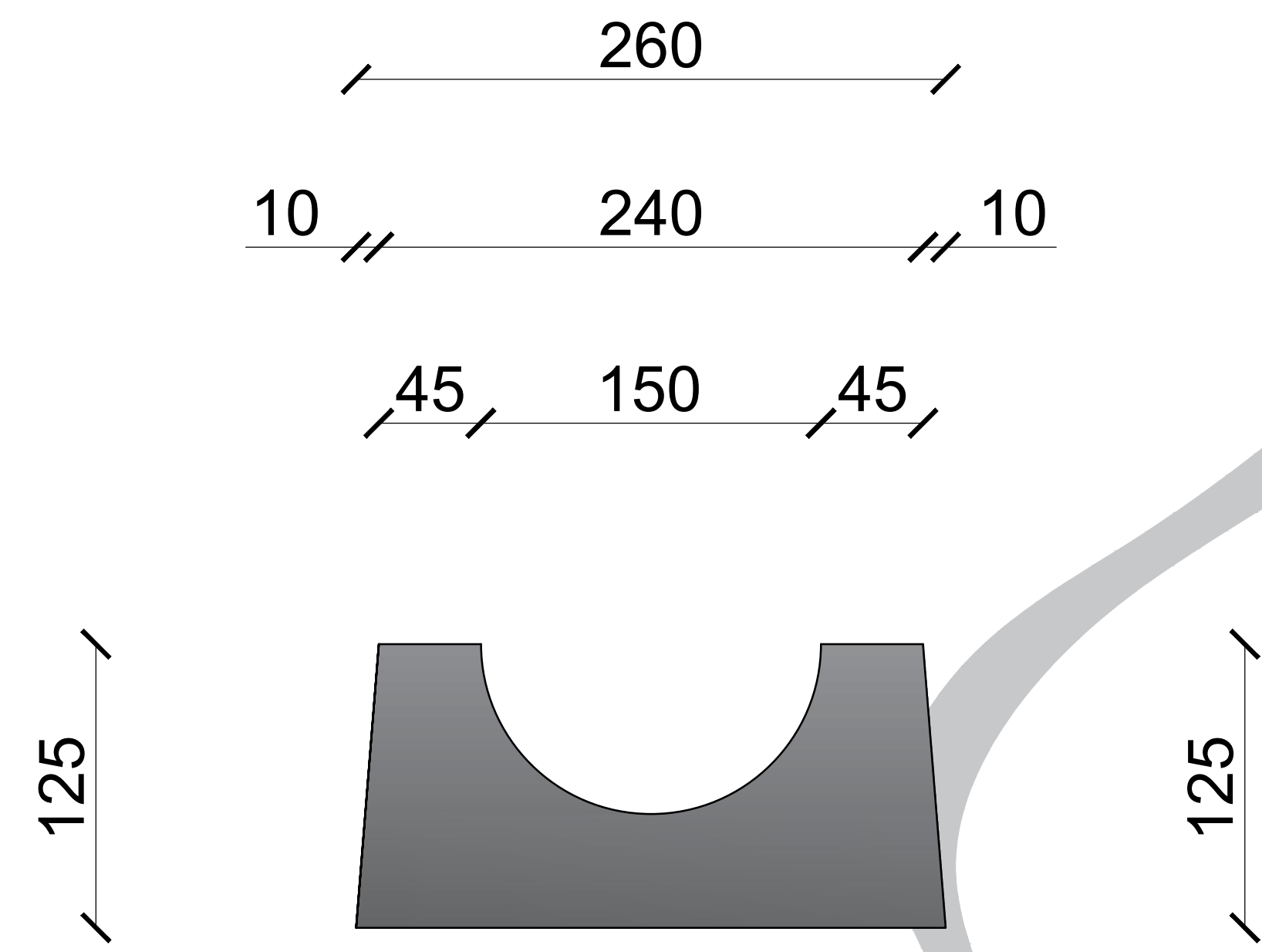
021 905 1200

CAPE CONCRETE WATER CHANNELS

Drawing no. CCW - WCS - 001

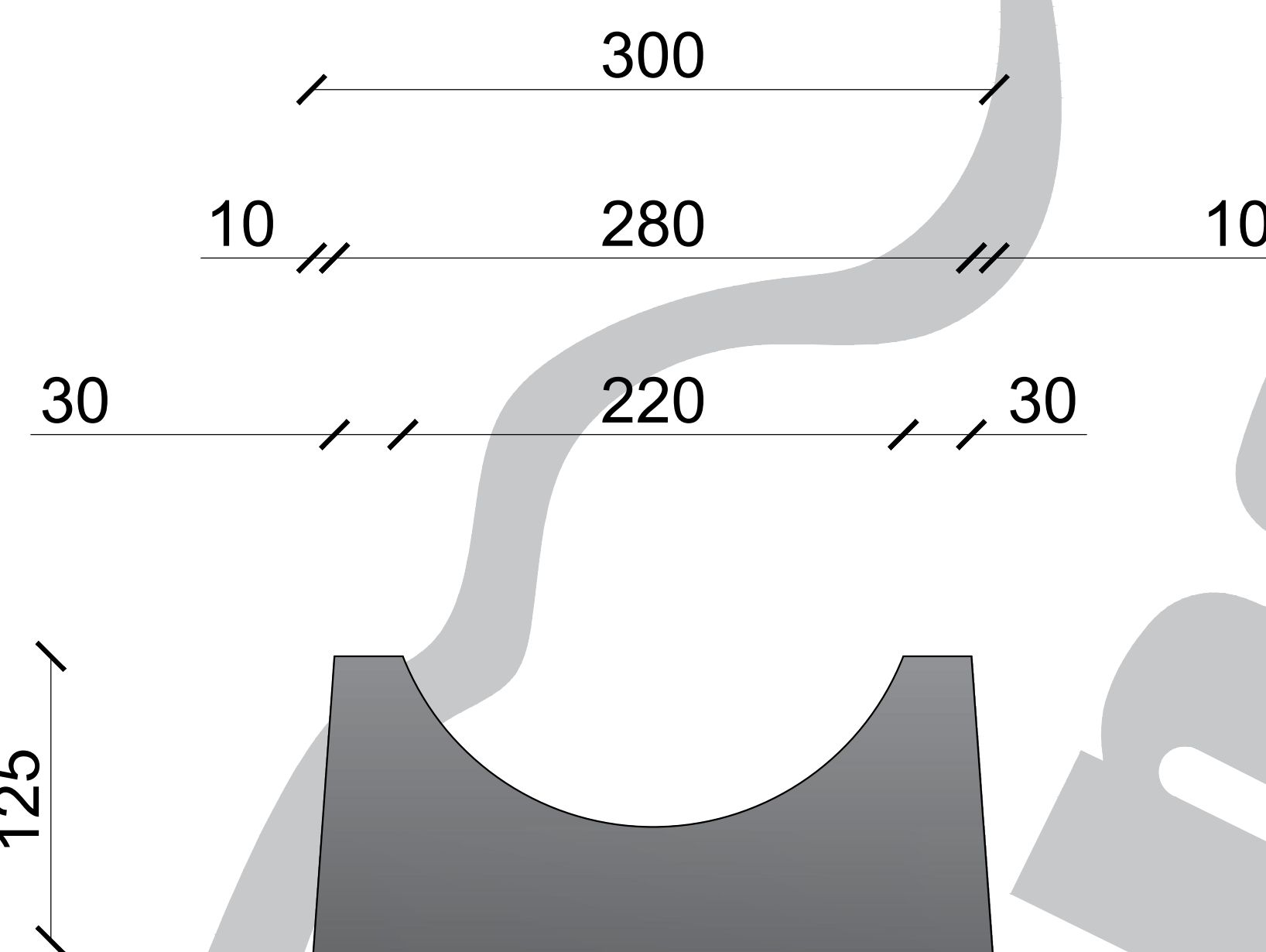
Scale: 1 : 10

W 1



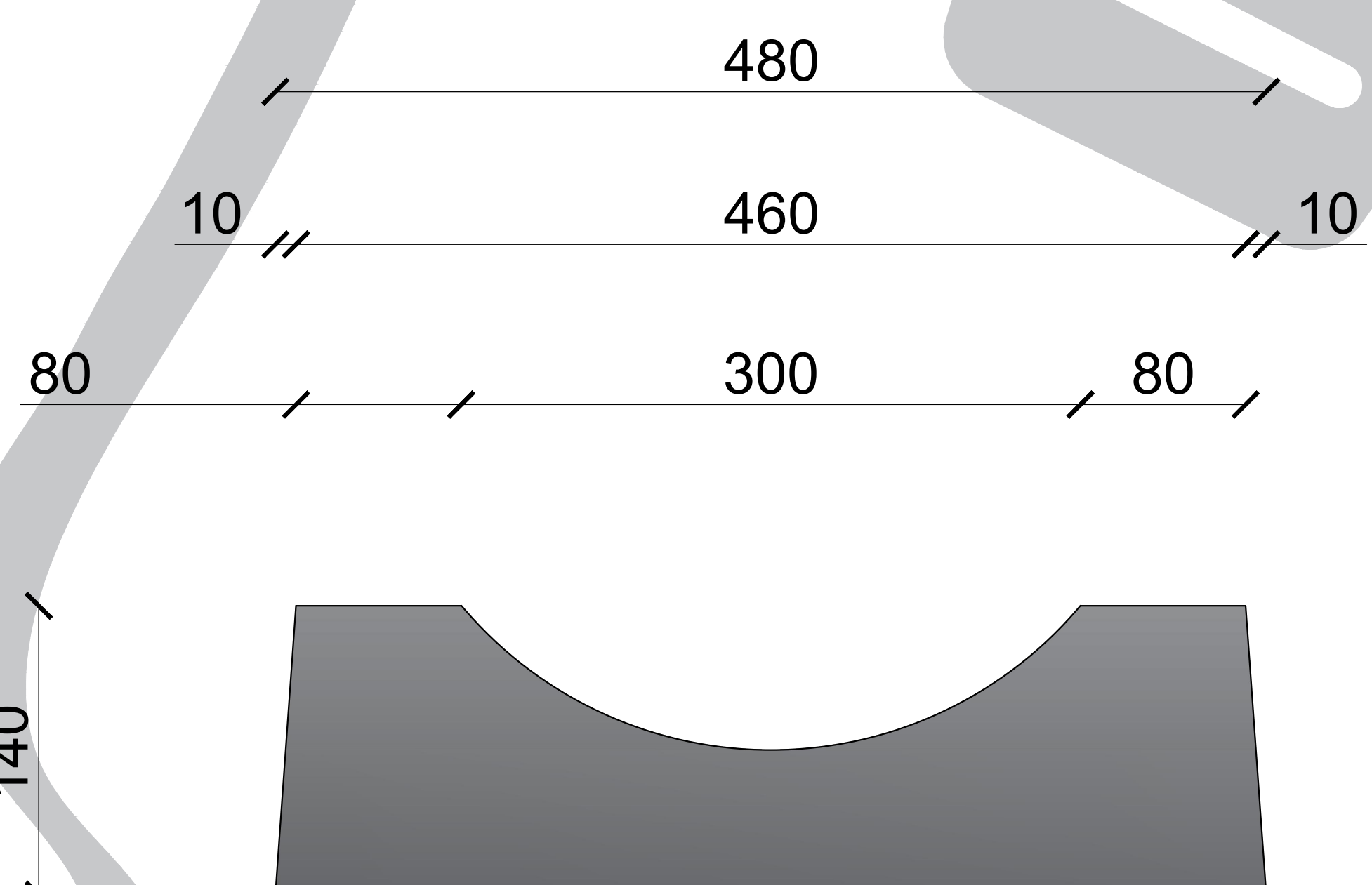
LENGTH : 1000 mm
 WEIGHT PER UNIT: 41 kg Each
 CONCRETE MIX: 25 MPa

W 2



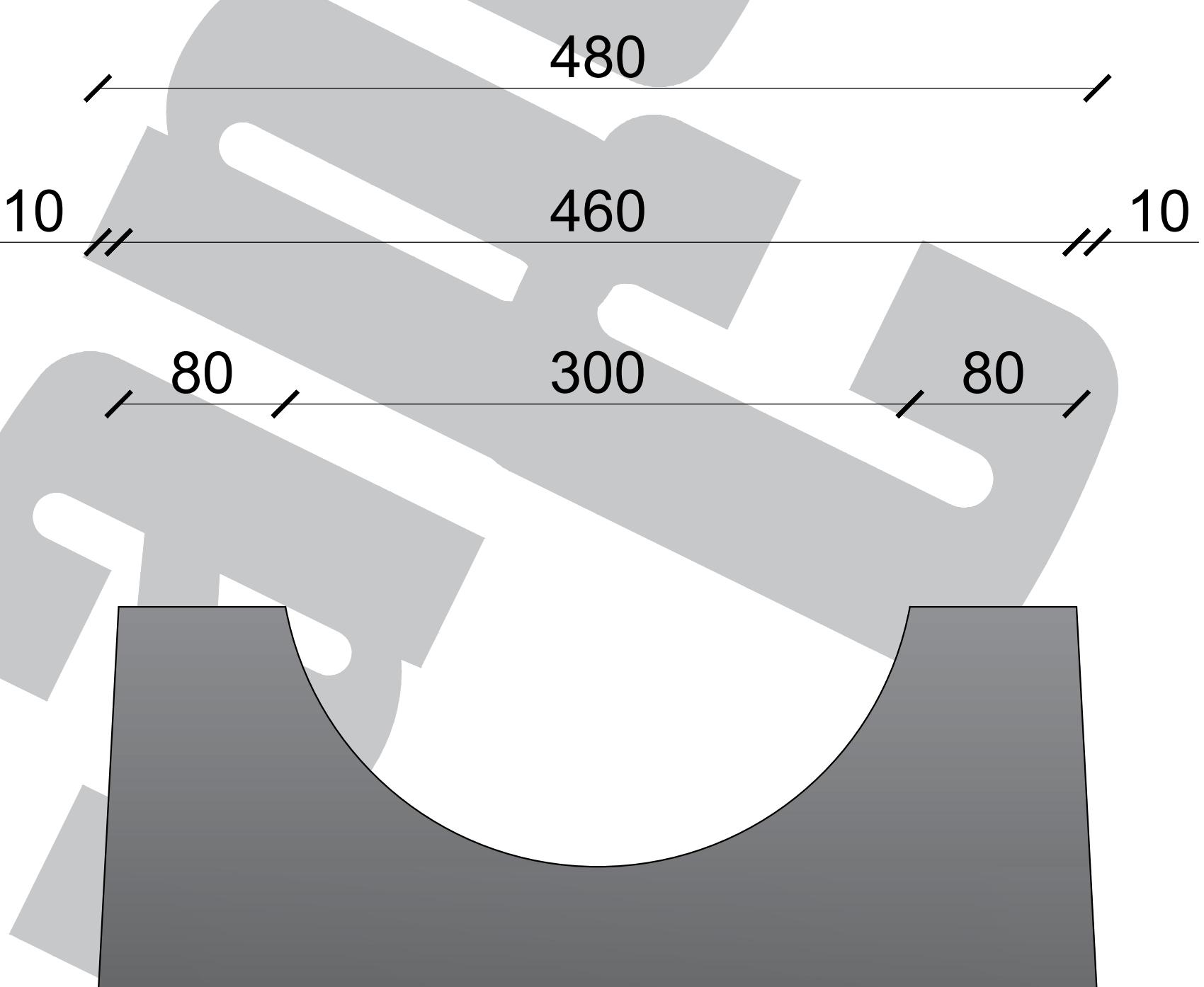
LENGTH : 1000 mm
 WEIGHT PER UNIT: 70 kg Each
 CONCRETE MIX: 25 MPa

W 3



LENGTH : 914 mm
 WEIGHT PER UNIT: 125 kg Each
 CONCRETE MIX: 25 MPa

W 4



LENGTH : 914 mm
 WEIGHT PER UNIT: 128 kg Each
 CONCRETE MIX: 25 MPa