



Cape Concrete Works (Pty) Ltd.

Wimbledon Road, Blackheath, Cape Town, South Africa

capeconcrete.com

info@capeconcrete.com

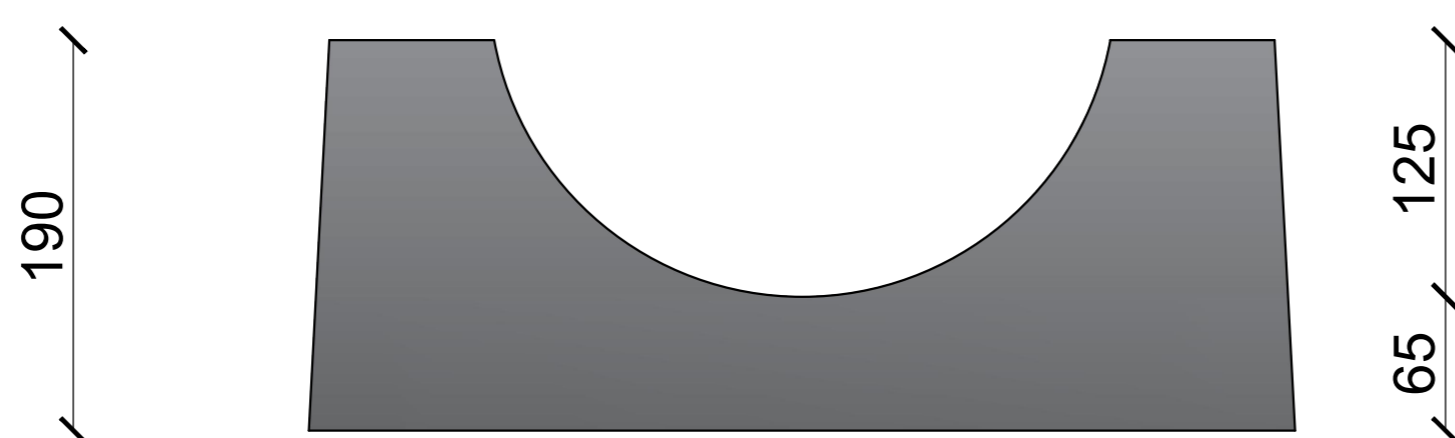
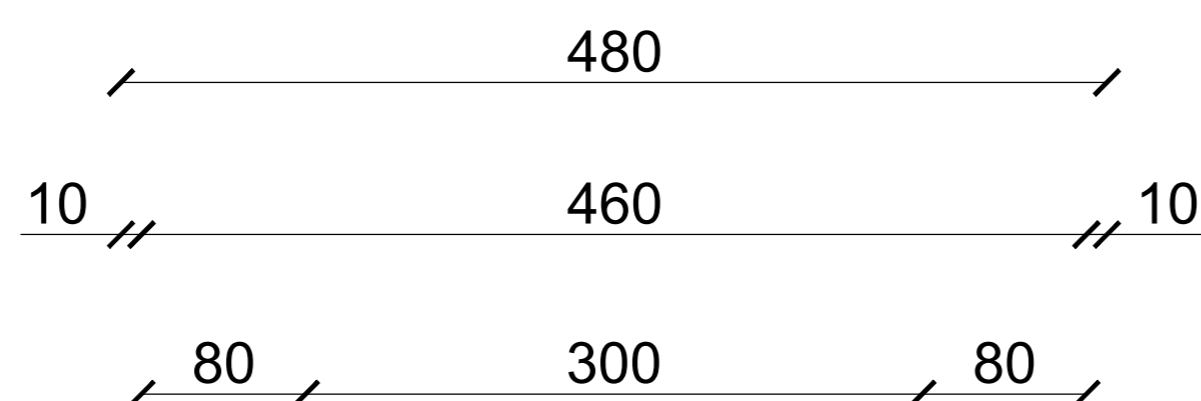
021 905 1200

CAPE CONCRETE WATER CHANNEL W 4

Drawing no. CCW - WC - 004

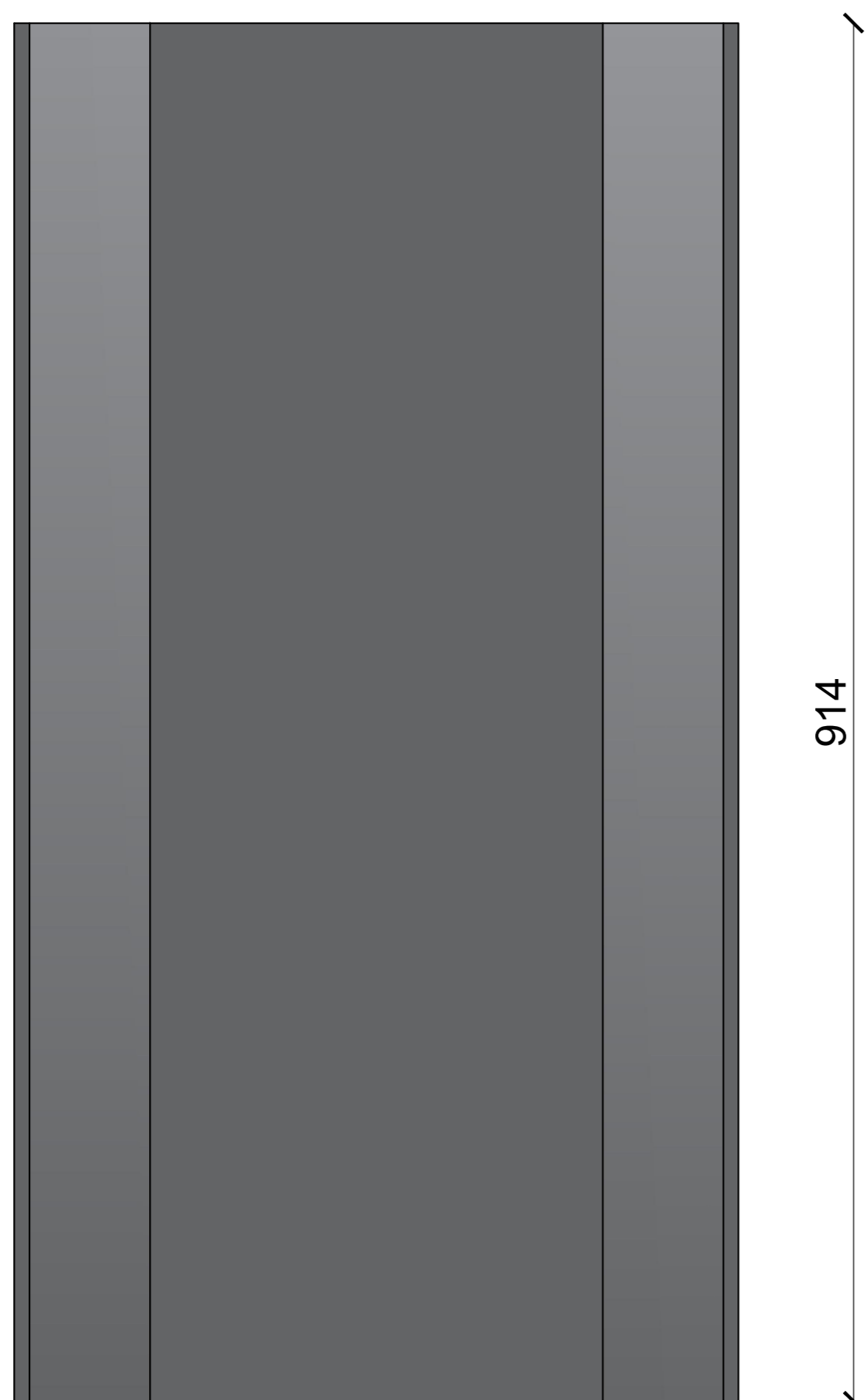
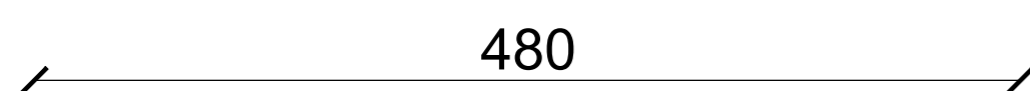
Scale: 1 : 10

W 4

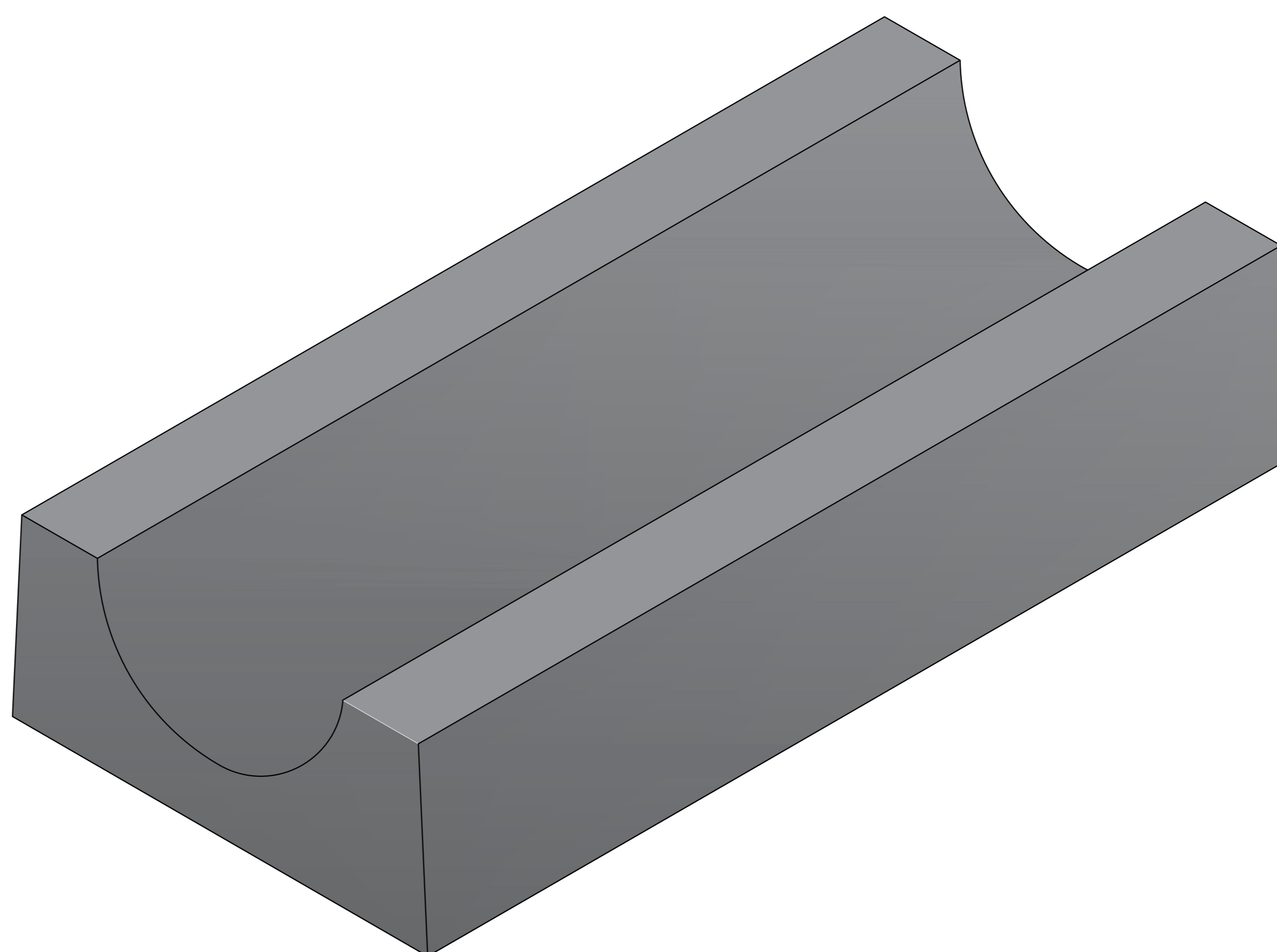


PROFILE

LENGTH : 914 mm
 WEIGHT PER UNIT: 128 kg Each
 CONCRETE MIX: 25 MPa
 REINFORCING: Un-reinforced



LAYOUT



ISO-METRIC VIEW