



**Cape Concrete Works (Pty) Ltd.**

Wimbledon Road, Blackheath, Cape Town, South Africa

capeconcrete.com

info@capeconcrete.com

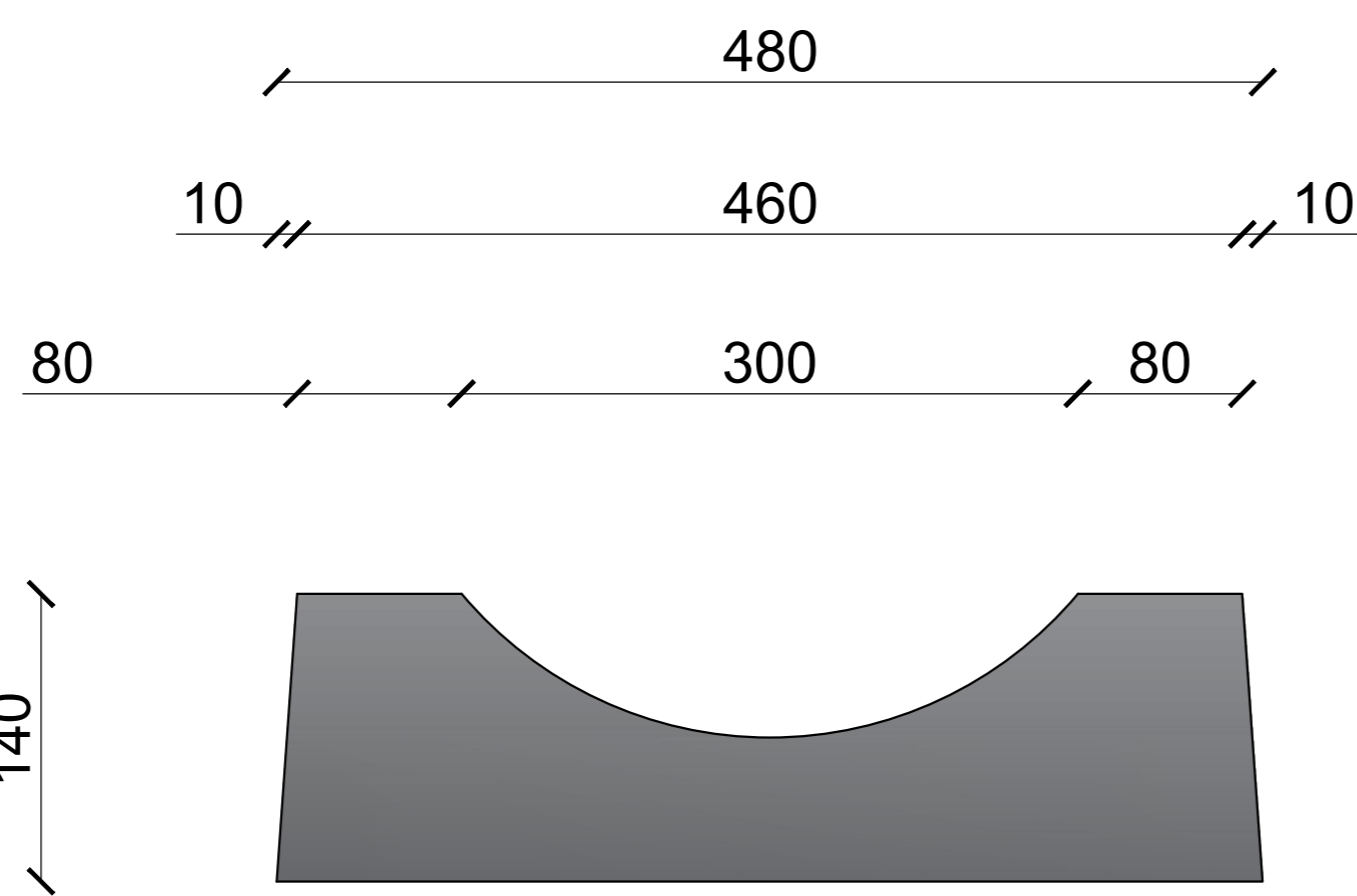
021 905 1200

**CAPE CONCRETE WATER CHANNEL W 3**

Drawing no. CCW - WC - 003

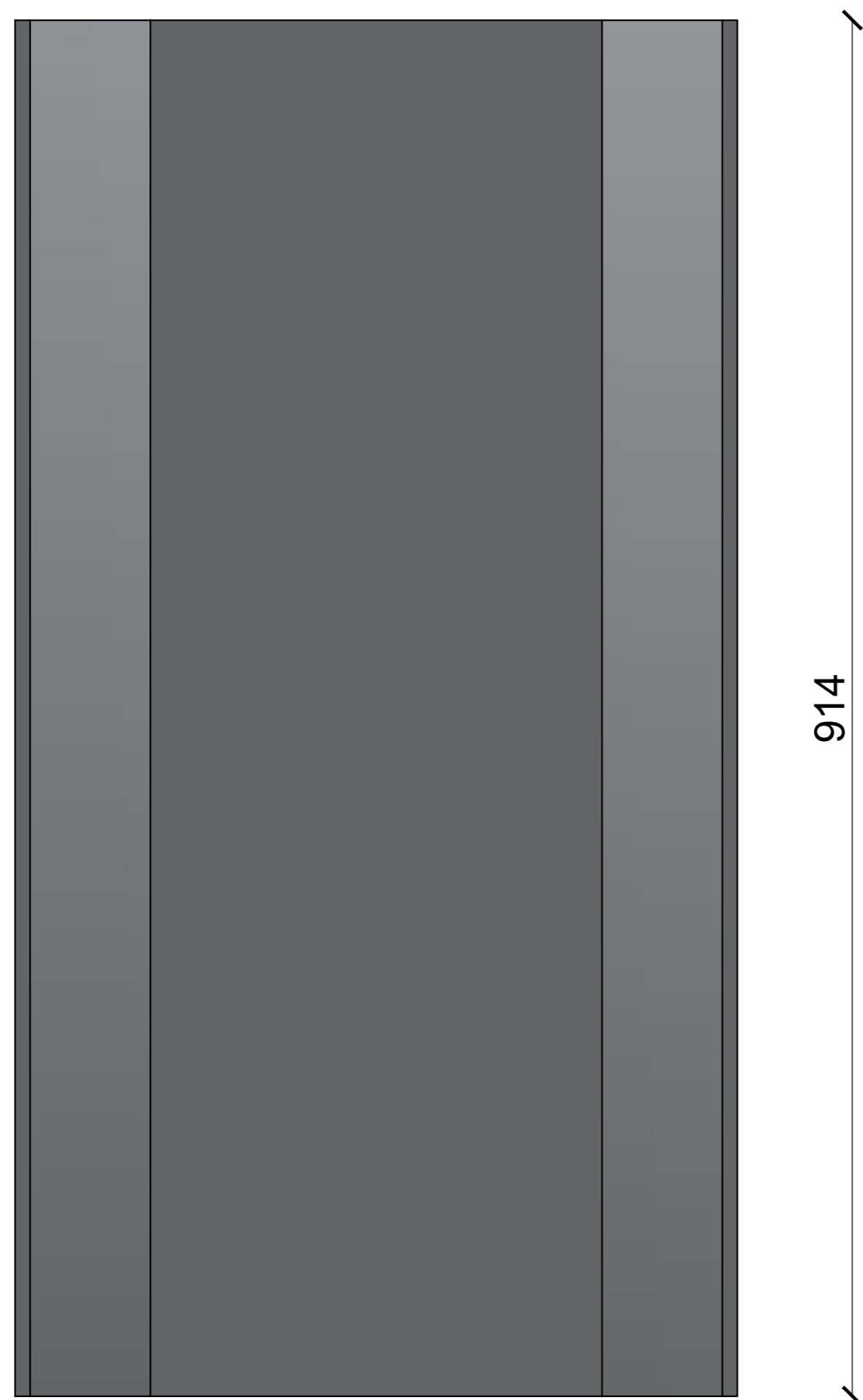
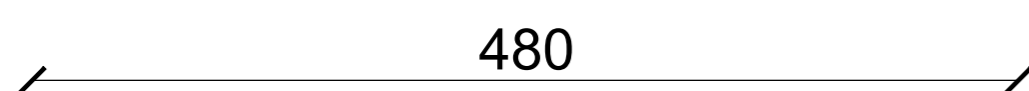
Scale: 1 : 10

**W 3**

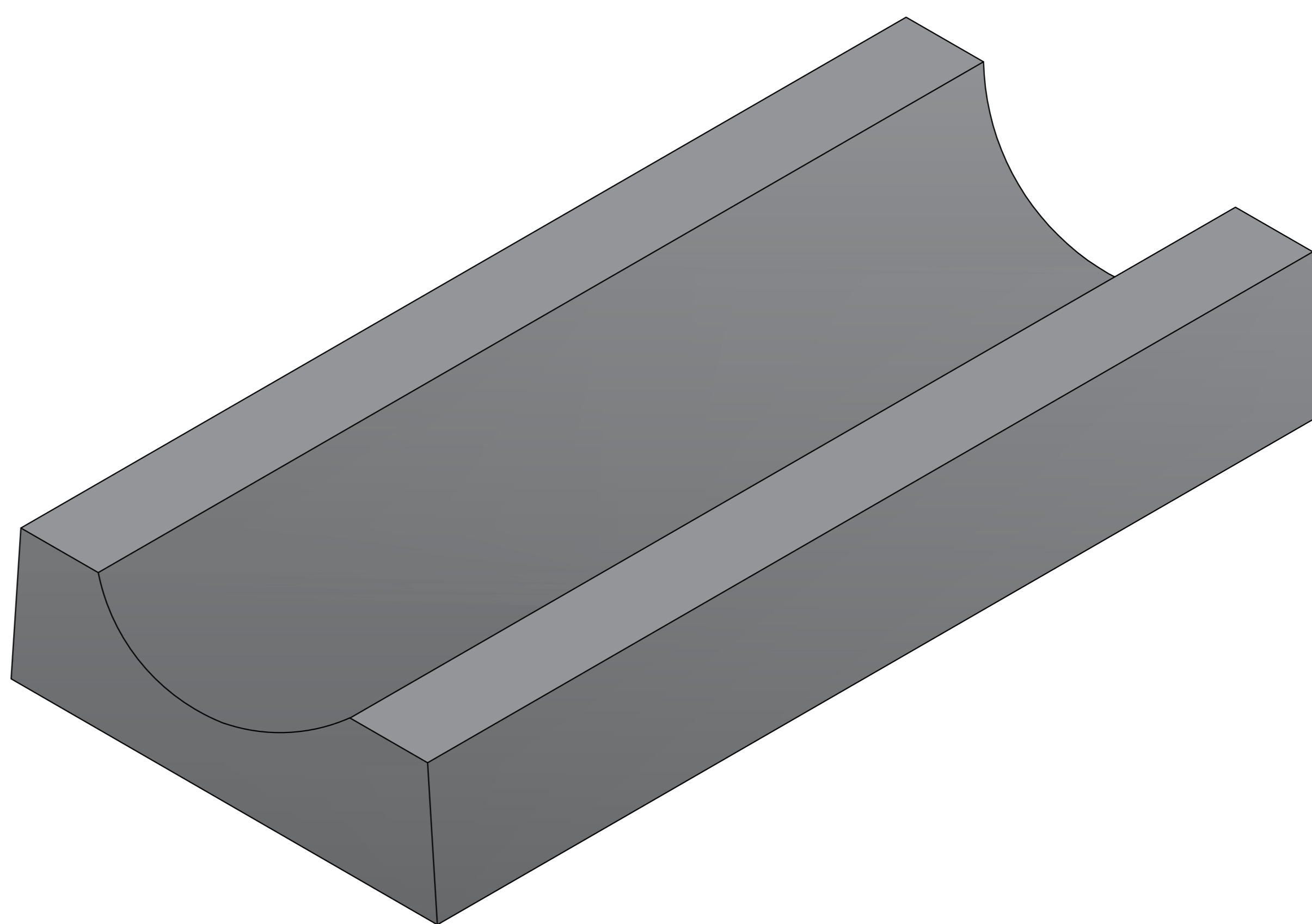


PROFILE

LENGTH : 914 mm  
 WEIGHT PER UNIT: 125 kg Each  
 CONCRETE MIX: 25 MPa  
 REINFORCING: Un-reinforced



LAYOUT



ISO-METRIC VIEW